

A

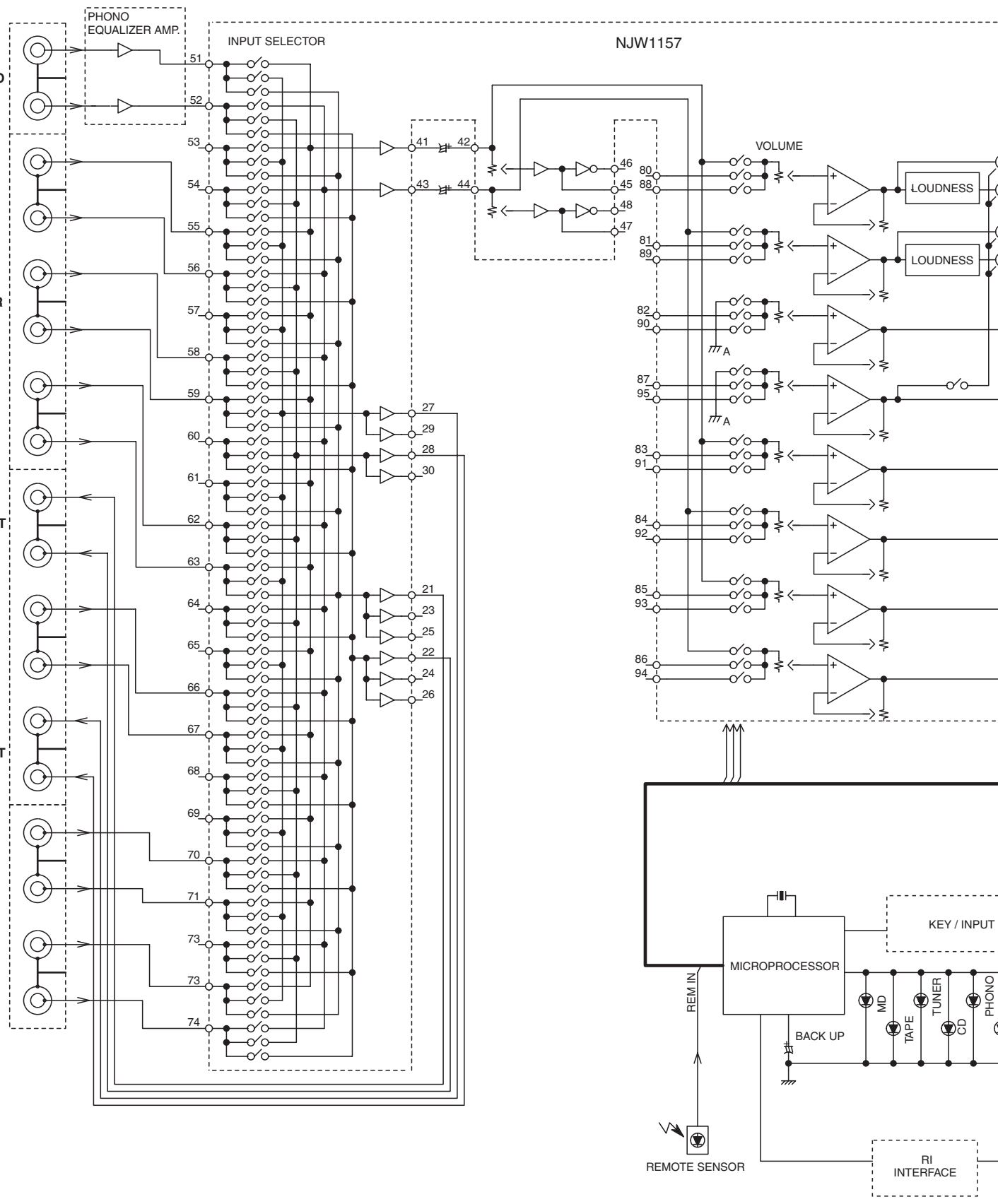
B

C

D

# BLOCK DIAGRAM

1  
2  
3  
4  
5

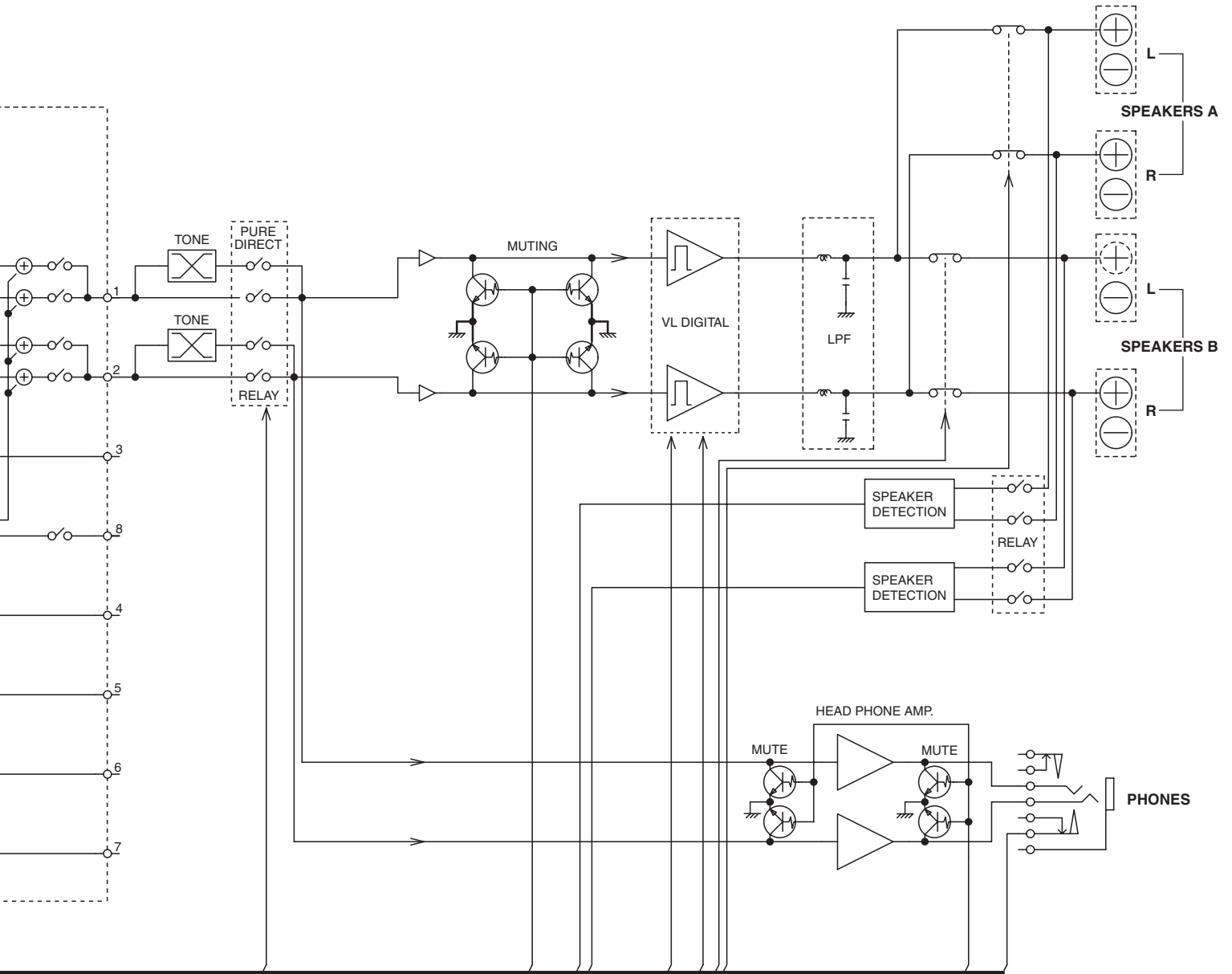


E

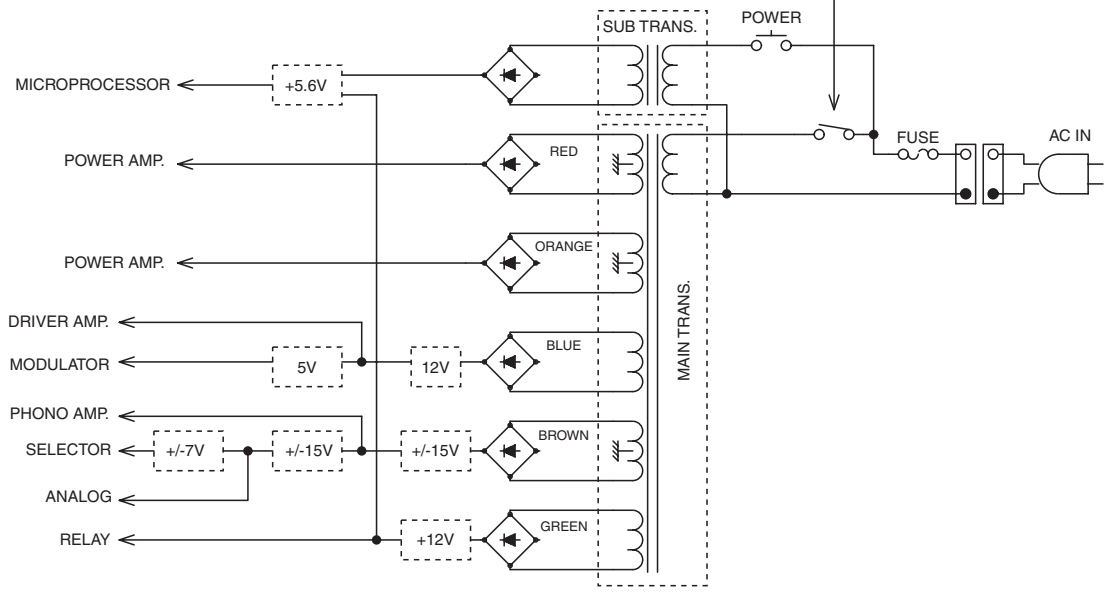
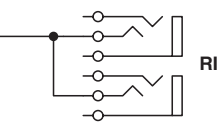
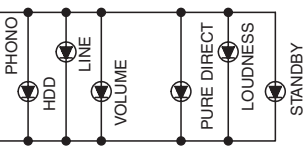
F

G

H



OUT SELECTOR



# SCHEMATIC DIAGRAMS-1 POWER AMPLIFIER SECTION

1

2

3

4

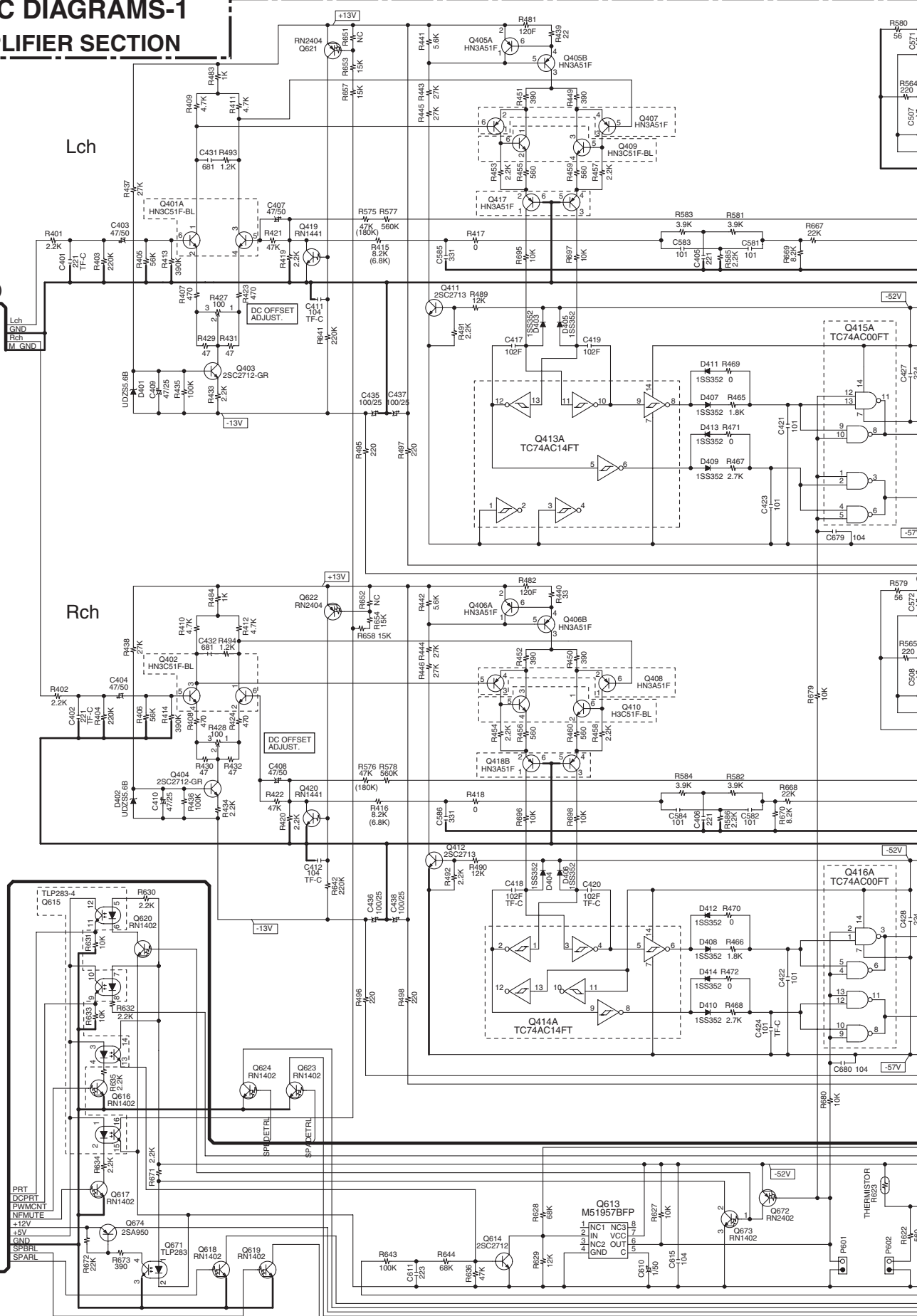
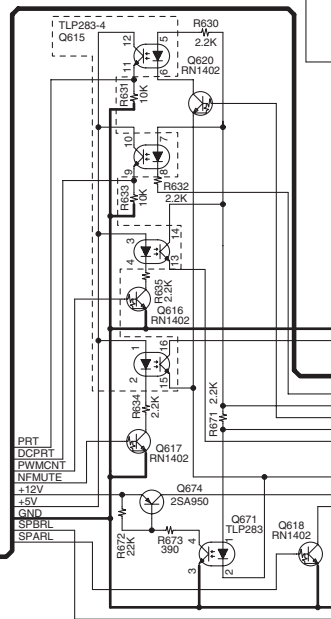
5

To NAAF-8708(2/2)  
(SD-2 : D2)

To NAAF-8708(2/2)  
(SD-2 : D4)

Lch

Rch

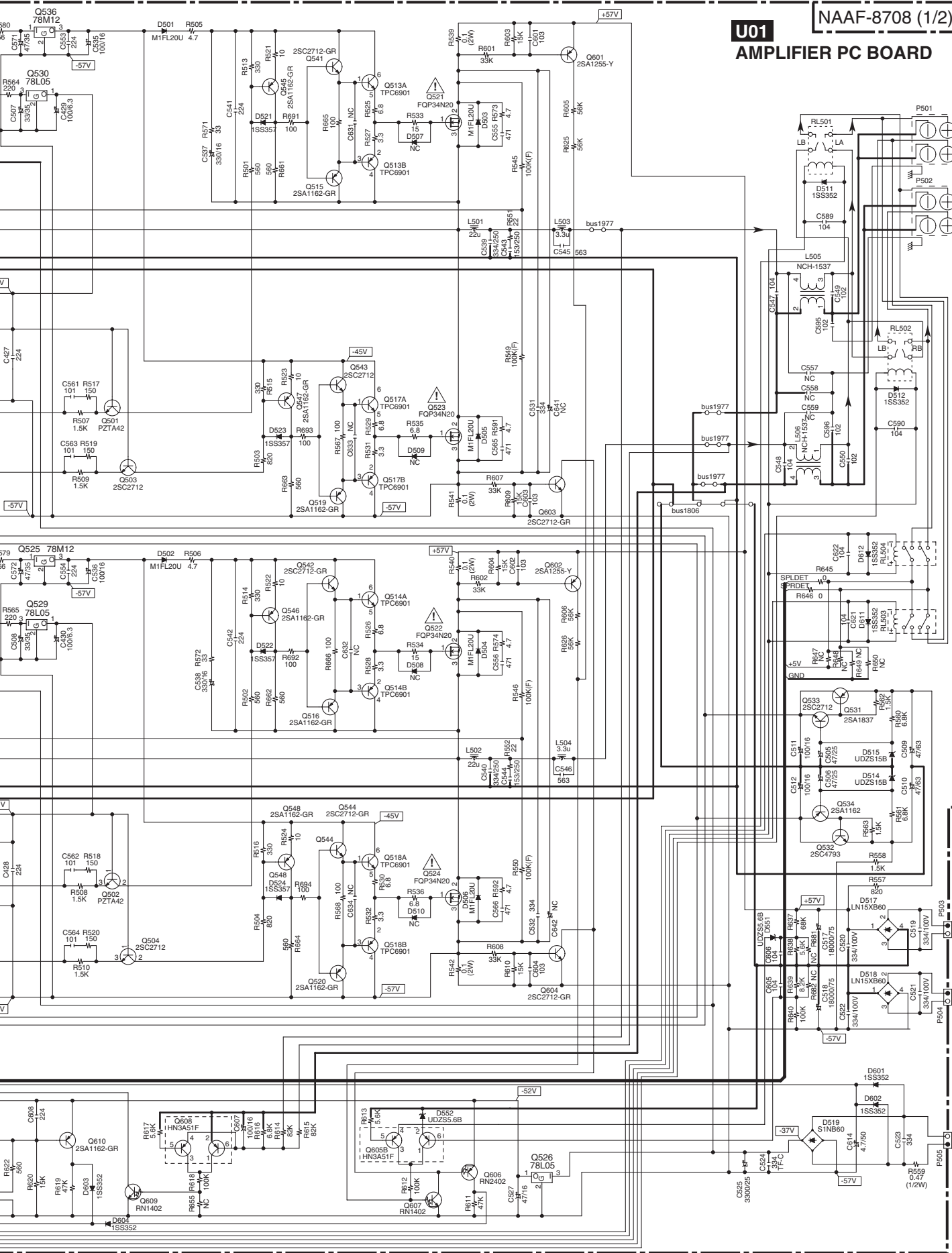


E

F

G

H



**U01**  
**NAAF-8708 (1/2)**  
**AMPLIFIER PC BOARD**

**SPEAKERS**

**A LEFT**

**B**

**A RIGHT**

**B**

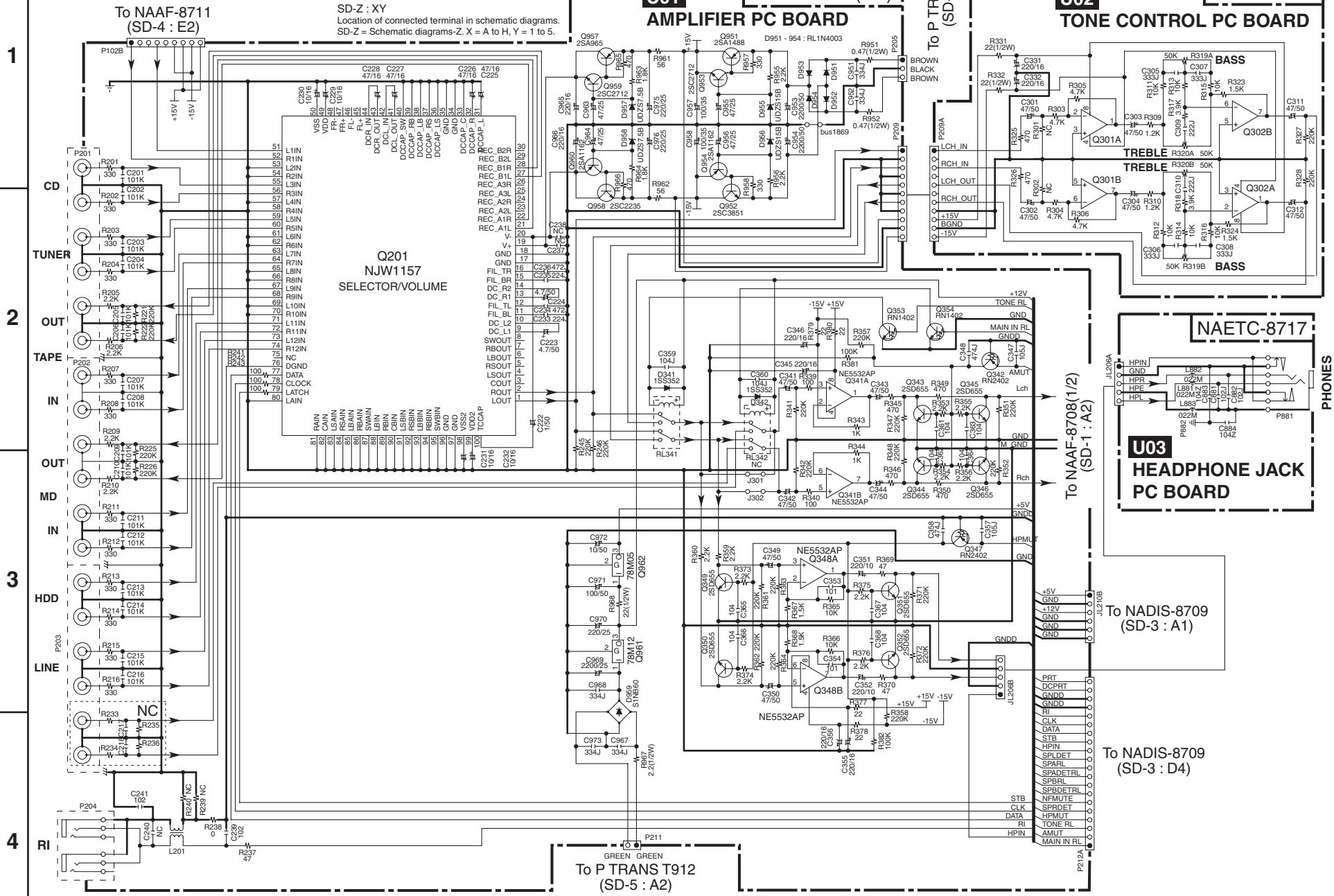
To P TRANS.  
 T911  
 (SD-5 : A1)  
 RED  
 RED

To P TRANS.  
 T911  
 (SD-5 : A2)  
 ORANGE  
 ORANGE

To P TRANS.  
 T911  
 (SD-5 : A2)  
 BLUE  
 BLUE

# SCHEMATIC DIAGRAMS-2 PRE-AMPLIFIER SECTION

<Note>  
 NC = No mount of parts.  
 SD-Z : XY  
 Location of connected terminal in schematic diagrams.  
 SD-Z = Schematic diagrams-Z. X = A to H, Y = 1 to 5.





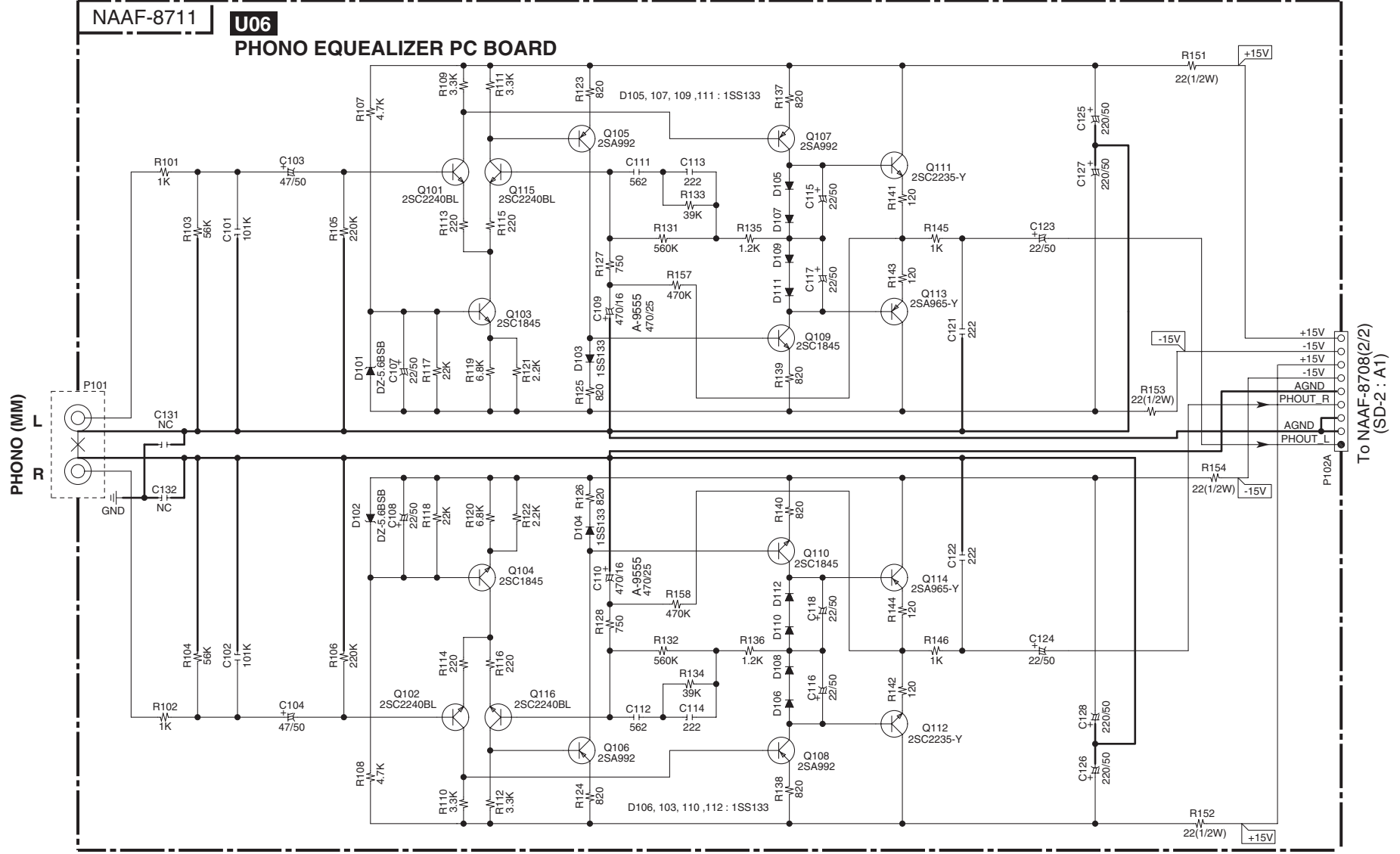
**SCHEMATIC DIAGRAMS-4**  
**PHONO EQUALIZER SECTION**

1

2

3

4



To NAAF-8708(2/2)  
(SD-2 : A1)



# SCHEMATIC DIAGRAMS-5

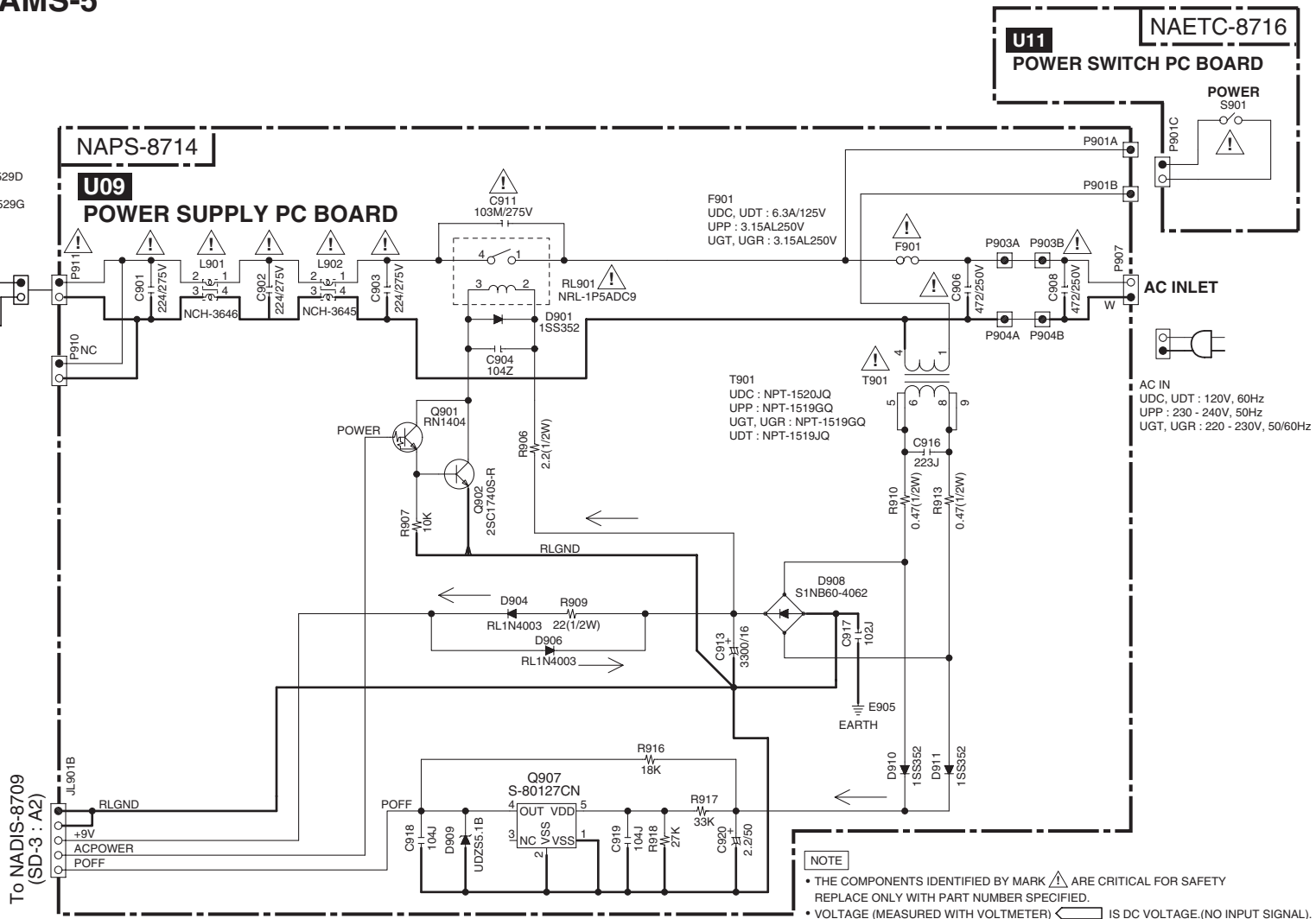
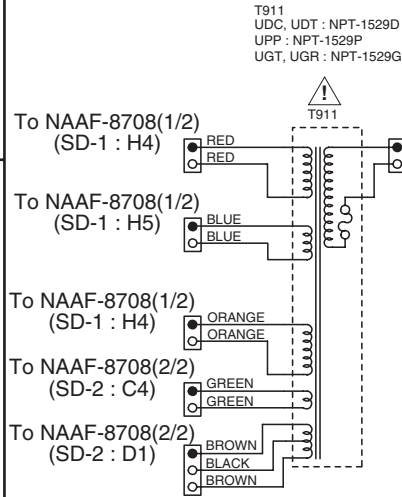
## POWER SUPPLY

1

2

3

4



- NOTE**
- THE COMPONENTS IDENTIFIED BY MARK ARE CRITICAL FOR SAFETY REPLACE ONLY WITH PART NUMBER SPECIFIED.
  - VOLTAGE (MEASURED WITH VOLTMETER) IS DC VOLTAGE.(NO INPUT SIGNAL).
  - ALL PNP TRANSISTORS ARE EQUIVALENT TO 2SA1015-GR UNLESS OTHERWISE NOTED.
  - ALL NPN TRANSISTORS ARE EQUIVALENT TO 2SC1815-GR UNLESS OTHERWISE NOTED.
  - ALL DIODES ARE EQUIVALENT TO 1SS133 UNLESS OTHERWISE NOTED.
  - ELECTROLYTIC CAPACITORS ( ) ARE IN uF/MV.
  - ALL CAPACITORS ARE IN pF/50WV UNLESS OTHERWISE NOTED.  
EX) 030- 3pF 330- 33pF 331- 330pF 333- 0.033uF
  - ALL RESISTORS ARE IN OHMS 1/4WATTS UNLESS OTHERWISE NOTED.
  - THE THICK LINES ON PC BOARD ARE THE PRINTING SIDE OF THE PARTS.  
EX) PRINTING SIDE
  - CIRCUIT IS SUBJECT TO CHANGE FOR IMPROVEMENT.

**CAUTION**  
FOR CONTINUED PROTECTION AGAINST FIRE HAZARD, REPLACE ONLY WITH FUSE OF SAME TYPE AND RATING INDICATED.

**ATTENTION**  
AFIN D'ASSURER UNE PROTECTION PERMANENTE CONTRE LES RISQUES D'INCENDIE, REMPLACER UNIQUEMENT PAR UN FUSIBLE DE MEME TYPE ET CALIBRATION COMME INDIQUE.

THIS SYMBOL LOCATED NEAR THE FUSE INDICATES THAT THE FUSE USED IS SLOW OPERATING TYPE FOR CONTINUED PROTECTION AGAINST FIRE HAZARD, REPLACE WITH SAME TYPE FUSE. FOR FUSE RATING REFER TO THE MARKING ADJACENT TO THE SYMBOL.

CE SYMBOLE INDIQUE QUE LE FUSIBLE UTILISE EST E LENT.POUR UNE PROTECTION PERMANENTE,N'UTILISER QUE DES FUSIBLES DE MEME TYPE. CE DERNIER EST INDIQUE LA QU LE PRESENT SYMBOLE EST APPOSE.

**<Note>**  
NC = No mount of parts.  
SD-Z : XY  
Location of connected terminal in schematic diagrams.  
SD-Z = Schematic diagrams-Z. X = A to H, Y = 1 to 5.